

Hi-Lo Universal Bike Rack System



The Hi-Lo Universal Bike Rack System is suitable for indoor or outdoor use, floor or wall mounting.

Useful in tight spaces, the bar on the 'Hi Model' supports the front wheel, lifting the handlebars of one bike above those of the adjacent bike. This feature allows Hi-Lo's to be spaced as little as 12" apart.

Quality made from tubular and plate steel, Hi-Lo's support the bike above the centre of gravity, and allow the frame and at least 1 wheel to be attached with a U-Lock, Cable Lock or chain.

Sold individually or in sets. Black or Silver powder coat. Manufactured in Vancouver by Advantage.

Hi-Lo Universal Bike Rack System

Side View: 'Lo'



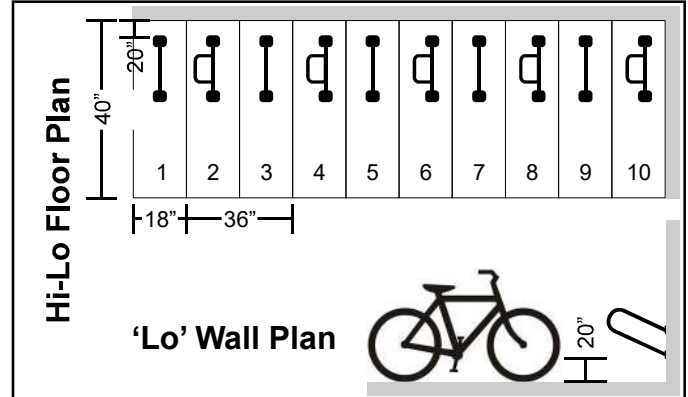
AdvantageBikeRacks.com

1.35" Dia.
Steel Tube

20" Deep

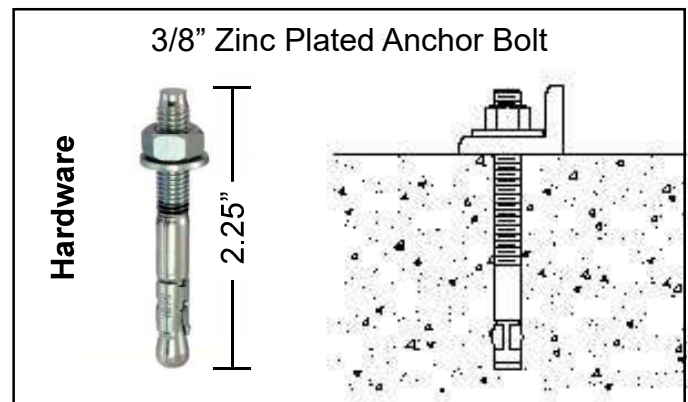
27" Tall

4" x 1.75" x 0.375" Base, 1 @ 0.563" Bolt Hole



Installation Instructions:

- 1 - Drill a 3/8" hole, 1.25" deep.
- 2 - Vacuum any drill dust from the hole.
- 3 - Align the rack's base plate with the hole.
- 4 - Hammer an anchor bolt into the base & hole.
- 5 - Hand-tighten the nut.
- 6 - Drill a second hole 9" away from the first.
- 7 - Hammer an anchor bolt into the base & hole.
- 8 - Firmly tighten both nuts to expand the anchors.



 **ADVANTAGE**
BIKE RACKS & LOCKERS

4751 Vanguard Road
Richmond, British Columbia, Canada. V6X 2P7
604-734-2575 AdvantageLockers.com